
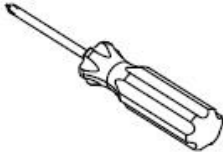



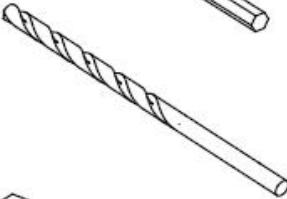

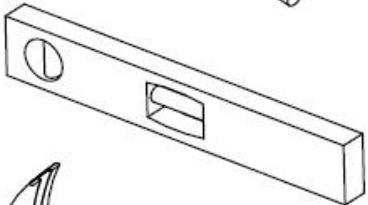

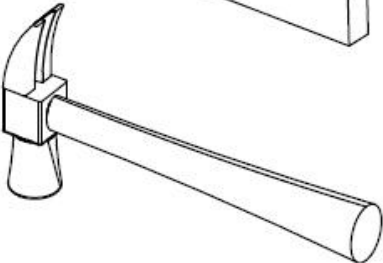

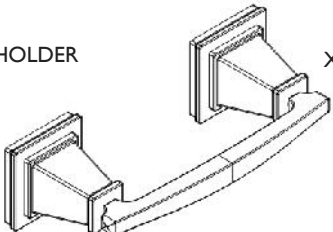


ITEMS INCLUDED		TOOLS REQUIRED	
DRY WALL ANCHOR	 X 4	PHILLIPS SCREW DRIVER	
TILE ANCHOR	 X 4	PEN / PENCIL	
#8 SCREW	 X 4	1/4" (6 mm) DRILL	
MOUNTING BRACKET	 X 2	LEVEL SET	
M6 X 1 SET SCREW	 X 2	HAMMER	
3MM ALLOY STEEL HEX KEY	 X 1		
TT HOLDER	 X 1		

INSTALLATION INSTRUCTIONS

43-28

DBL POST TT HOLDER

NEWPORT BRASS
 Flawless Beauty. From Faucet to Finish.™

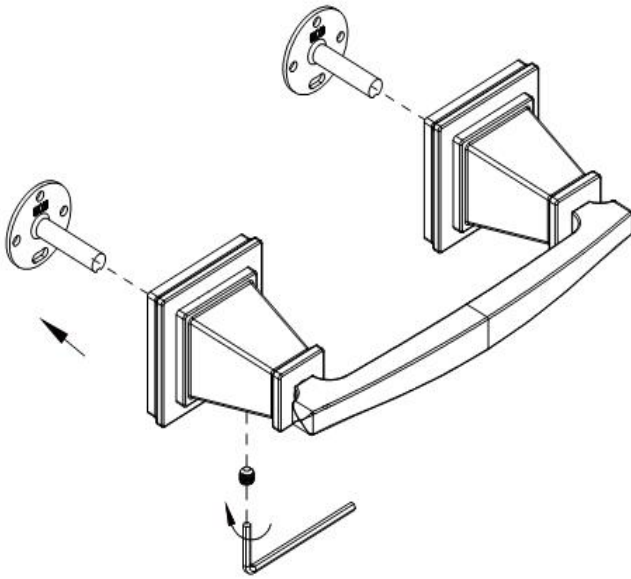
2001 CARNEGIE AVE, SANTA ANA CA 92705

(949) 417-5207

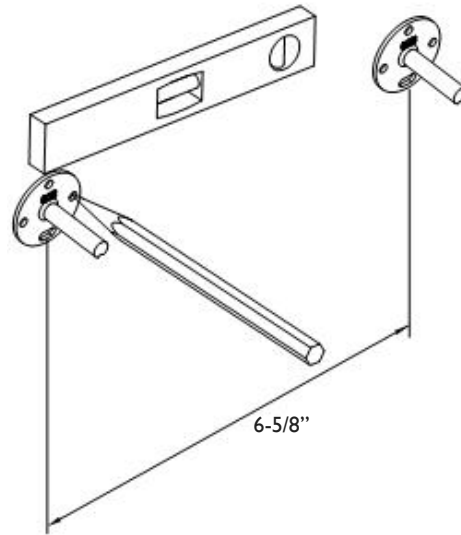
(949) 417-5207

WWW.NEWPORTBRASS.COM

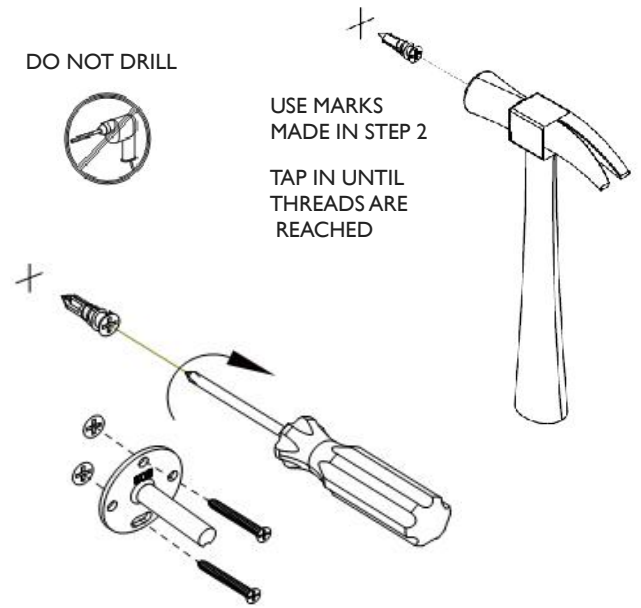
① REMOVE MOUNTING BRACKETS



② ALIGN MOUNTING BRACKETS AND MARK LOCATION



③ DRY WALL INSTALLATION

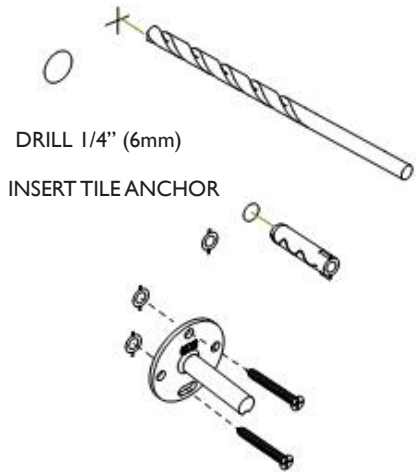


④ TILE OR SOLID WALL INSTALLATION

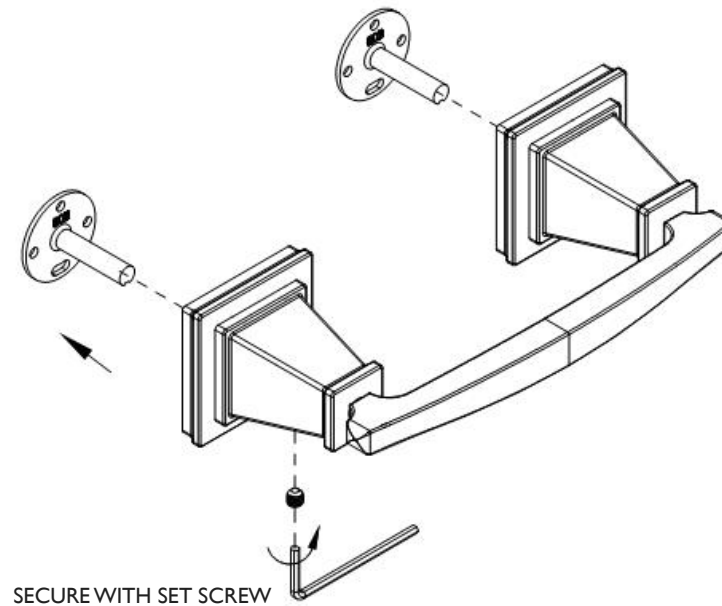
USE MARKS MADE IN STEP 2

DRILL 1/4" (6mm)

INSERT TILE ANCHOR



⑤ INSTALL PRODUCT ONTO BRACKETS



SECURE WITH SET SCREW